

Planta de localização  
escala 1:50

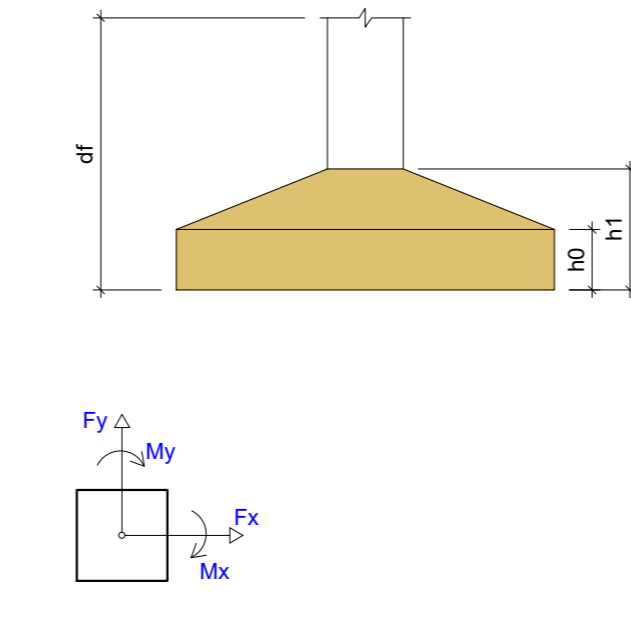
**OBSERVAÇÕES**

1- Cola de apoio(base) das sapatas deverá ficar 1m abaixo do terreno

1- Concreto utilizado sendo fck = 30 MPa

Nome	Seção	X (cm)	Y (cm)	Carga Máx. (kg)	Carga Min. (kg)	Pilar				Fundação							
						My Máximo (t.m)	My Mínimo (t.m)	Fx Máximo (t)	Fx Mínimo (t)	Fy Máximo (t)	Fy Mínimo (t)	Lado B	Lado H	N	df		
P1	14x30	2731.55	244.57	11.7	9.7	0.0	-1.0	0.3	0.0	1.0	0.0	100	120	0.30	1.50		
P2	14x30	309.55	244.57	5.1	4.1	0.0	-0.8	0.1	-0.2	0.1	-0.2	1.0	0.0	100	120	0.30	1.50
P3	14x30	309.55	155.57	5.3	4.3	0.2	-0.4	0.0	-0.2	0.0	-0.5	0.5	0.0	90	165	0.25	1.50
P4	14x30	747.55	155.57	11.5	8.9	0.3	-0.3	0.1	0.0	0.1	0.0	-0.3	0.0	90	165	0.25	1.50
P5	14x30	1185.55	155.57	9.5	7.5	0.2	-0.4	0.2	0.0	0.2	0.0	0.5	-0.1	90	165	0.25	1.50
P6	14x30	1034.55	155.57	9.2	7.3	0.0	-0.6	0.1	-0.2	0.1	-0.2	1.0	0.0	100	120	0.30	1.50
P7	14x30	1901.55	155.57	7.5	6.0	0.1	-0.2	0.3	-0.2	0.3	0.0	0.5	0.0	90	165	0.25	1.50
P8	14x30	2183.55	155.57	9.9	8.1	0.2	-0.7	0.1	0.0	0.1	0.0	0.6	0.0	90	165	0.25	1.50
P9	14x30	-506.45	-44.43	2.9	2.4	0.2	-0.4	0.0	-0.1	0.0	-0.3	0.5	0.0	85	160	0.25	1.50
P10	14x30	-777.45	-44.43	7.9	6.4	0.1	-0.5	0.0	-0.4	0.0	-0.4	0.4	0.0	85	160	0.25	1.50
P11	14x30	172.55	-38.43	7.8	6.3	0.0	-0.3	0.3	0.0	0.7	0.0	0.4	0.0	85	160	0.25	1.50
P12	14x30	566.55	-60.43	2.4	2.1	0.1	0.0	0.0	-0.3	0.0	-0.8	0.0	-0.3	85	160	0.25	1.50
P13	14x30	928.55	-60.43	2.3	2.1	0.1	0.0	0.4	0.0	0.7	0.0	0.0	-0.3	85	160	0.25	1.50
P14	14x30	2574.55	-76.43	10.7	7.9	0.2	0.0	0.2	-0.1	0.5	0.0	0.0	-0.5	90	165	0.25	1.50
P15	14x30	-724.45	-38.43	6.1	5.1	0.0	-0.7	0.0	-0.2	0.0	-0.4	0.0	0.0	100	120	0.30	1.50
P16	14x30	-277.45	-355.43	10.8	8.9	0.2	-0.2	0.0	0.5	0.0	-0.6	0.1	-0.3	90	165	0.25	1.50
P17	14x30	309.55	-347.43	13.4	11.2	0.4	-0.3	0.2	0.0	0.4	0.0	0.3	-0.3	100	120	0.30	1.50
P18	14x30	747.55	-347.43	11.6	8.8	0.2	-0.4	0.1	-0.2	0.1	-0.2	0.6	0.0	100	120	0.30	1.50
P19	14x30	1185.55	-347.43	11.1	8.2	0.4	-0.5	0.1	0.0	0.2	0.0	0.2	-0.5	90	165	0.25	1.50
P20	14x30	1534.55	-347.43	11.3	8.2	0.7	-0.0	0.1	-0.2	0.1	-0.2	0.0	-0.9	100	120	0.30	1.50
P21	14x30	1893.55	-347.43	11.5	7.9	0.8	0.0	0.1	-0.2	0.1	-0.2	0.0	-1.1	100	120	0.30	1.50
P22	14x30	2183.55	-347.43	10.5	7.6	0.5	-0.1	0.1	0.0	0.2	0.0	0.0	-0.9	90	165	0.25	1.50
P23	14x30	2731.55	-347.43	12.6	9.6	0.5	-0.3	0.0	-0.4	0.0	-0.5	0.0	-1.0	100	120	0.30	1.50
P24	14x30	3091.55	-347.43	9.9	8.3	0.4	-0.5	0.4	0.0	0.0	0.4	-0.3	1.0	100	120	0.30	1.50
P25	14x30	-415.45	-512.43	8.4	7.2	0.4	-0.3	0.1	-0.2	0.1	-0.2	0.4	0.0	85	160	0.25	1.50
P26	14x30	-137.45	-512.43	7.5	6.7	0.2	-0.5	0.1	0.0	0.2	0.0	0.5	0.0	85	160	0.25	1.50
P27	14x30	140.55	-512.43	19.0	8.0	0.2	-0.3	0.0	-0.1	0.0	-0.4	0.4	-0.2	85	160	0.25	1.50
P28	14x30	489.55	-586.43	10.2	8.3	0.4	-0.2	0.1	0.0	0.1	0.0	0.2	-0.4	90	165	0.25	1.50
P29	14x30	838.55	-602.43	11.9	9.0	0.4	-0.0	-0.0	-0.5	0.3	-0.3	1.0	0.0	30	30	0.30	1.50
P30	14x30	1376.55	-602.43	15.2	11.3	0.3	-0.3	0.1	0.0	0.1	0.0	-0.2	1.0	100	120	0.30	1.50
P31	14x30	1914.55	-602.43	13.2	8.6	0.3	-0.3	0.3	0.0	0.4	0.0	0.4	-0.2	100	120	0.30	1.50
P32	14x30	2183.55	-602.43	8.0	5.8	0.0	-0.7	0.1	0.0	0.1	-0.2	0.0	0.0	90	165	0.25	1.50
P33	14x30	2739.55	-733.43	9.4	7.1	0.1	-0.3	0.0	-0.4	0.0	-0.7	0.3	0.0	90	165	0.25	1.50
P34	14x30	3072.55	-733.43	4.8	3.7	0.0	-0.8	0.0	0.0	0.0	0.0	0.0	-0.4	85	160	0.25	1.50
P35	14x30	-724.45	-975.43	5.3	4.4	0.7	0.0	0.0	-0.2	0.0	-0.3	0.0	-1.0	100	120	0.30	1.50
P36	14x30	-415.45	-975.43	7.5	6.0	0.4	-0.2	0.1	0.0	0.2	0.0	0.0	-0.5	85	160	0.25	1.50
P37	14x30	-137.45	-975.43	8.6	5.2	0.4	-0.2	0.1	0.0	0.1	0.0	0.0	0.5	85	160	0.25	1.50
P38	14x30	140.55	-975.43	7.6	6.0	0.4	-0.1	0.1	-0.2	0.1	-0.2	0.1	-0.4	85	160	0.25	1.50
P39	14x30	489.55	-975.43	6.1	5.2	0.0	-0.3	0.1	0.0	0.1	0.0	0.1	0.0	85	160	0.25	1.50
P40	14x30	838.55	-975.43	9.5	7.5	0.4	-0.2	0.0	-0.5	0.2	-0.3	0.5	0.0	85	160	0.25	1.50
P41	14x30	1376.55	-975.43	11.9	9.6	0.4	-0.4	0.1	0.0	0.3	0.0	0.3	-0.4	90	165	0.25	1.50
P42	14x30	1914.55	-975.43	9.5	7.5	0.4	-0.4	0.2	0.0	0.4	0.0	0.3	-0.5	90	165	0.25	1.50
P43	14x30	2183.55	-1052.43	10.1	7.6	0.3	0.0	0.1	-0.3	0.0	-0.4	0.0	-0.6	90	165	0.25	1.50
P44	14x30	2723.55	-1052.43	7.8	6.0	0.0	0.0	0.0	0.0	0.0	0.0	0.0	-0.3	90	165	0.25	1.50
P45	14x30	2181.55	-1402.43	2.3	1.6	0.0	0.0	0.0	0.0	0.0	-0.2	0.1	0.0	55	70	0.25	1.50
P46	14x30	2723.55	-1402.43	2.6	1.9	0.0	0.0	0.0	0.0	0.3	0.0	0.1	0.0	55	70	0.25	1.50

Localização no eixo X		Localização no eixo Y	
Coordenadas (cm)	Nome	Coordenadas (cm)	Nome
-724.45	P15, P35	244.57	P1, P2
-506.45	P9	-506.45	P9
-415.45	P25, P36	155.57	P3, P4, P5, P6, P8
-384.43	P11	-277.45	P10, P16
-137.45	P26, P37	-137.45	P26, P37
-60.43	P12, P13	140.55	P27, P38
-16.43	P14	1726.55	P11
-347.43	P17, P18, P19, P20, P21, P22, P23, P24	-347.43	P17, P18, P19, P20, P21, P22, P23, P24
309.55	P3, P17	309.55	P3, P17
489.55	P28, P39	489.55	P28, P39
566.55	P12	-384.43	P12
-512.43	P25, P26, P27	747.55	P4, P18
-586.43	P18	838.55	P39, P40
-602.43	P29, P30, P31, P32	928.55	P13
-733.43	P33, P34	1185.55	P5, P19
-975.43	P35, P36	1376.55	P30, P41
-1052.43	P43, P44	1534.55	P6, P20
-1402.43	P45, P46	1893.55	P21
		1901.55	P7
		1914.55	P2
		2183.55	P4, P46
		2718.55	P1, P23
		2739.55	P33
		3072.55	P34
		3091.55	P2, P24



Os valores indicados nesta tabela são os valores máximos obtidos pela combinação de todas as combinações definidas para as fundações. Para análises complementares, deve-se consultar o relatório de esforços na fundação, que apresenta os valores calculados para cada combinação.

**ESTRUTURAL**

Unidade Básica de Saúde Rachadell  
Município de Antônio Carlos  
Rua Nilson Olegário Schmitz, s/n, Bairro Rachadell - Antônio Carlos/SC

Quem O Engenheiro LTDA - CNPJ 02.883.288/01-91

Projeto: **EST 01/12**

Engenheiro Civil

20/01/2023

Como indicado